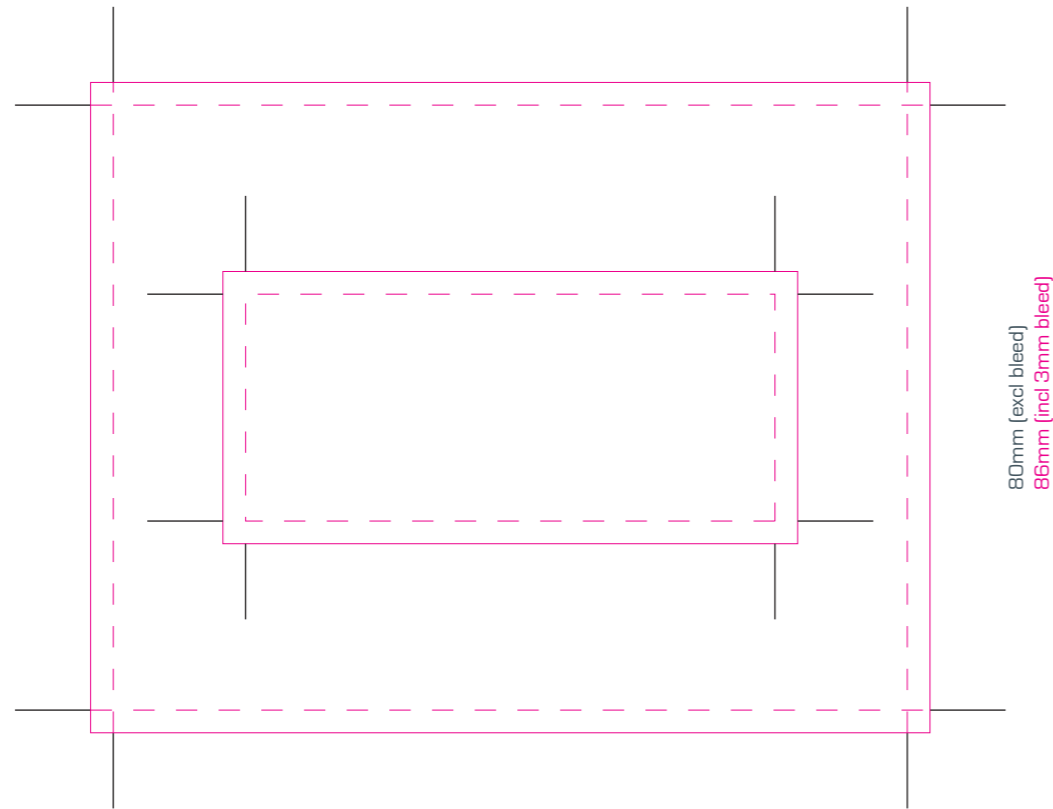


Artwork Template



105mm (excl bleed)
111mm (incl 3mm bleed)

80mm (excl bleed)
86mm (incl 3mm bleed)

 = PRINTABLE AREA



105mm (excl bleed)
111mm (incl 3mm bleed)

80mm (excl bleed)
86mm (incl 3mm bleed)

 = PRINTABLE AREA

Artwork Requirements:

Format: All files must be supplied as Adobe PDF, Illustrator or EPS files

Notes:

- Digital printing, 5-colours (CMYK + WHITE), printed label by Pod® system
- Artwork is printed onto a clear adhesive label unless otherwise agreed
- All white areas on the label will appear as brushed aluminium show through
- All white print should be shown on an individual separation